



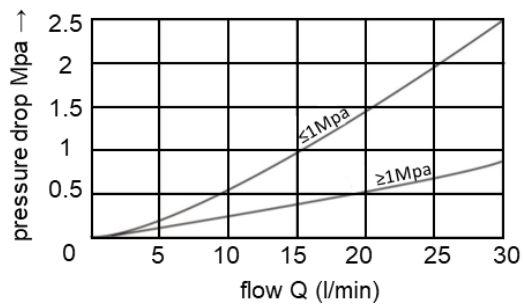
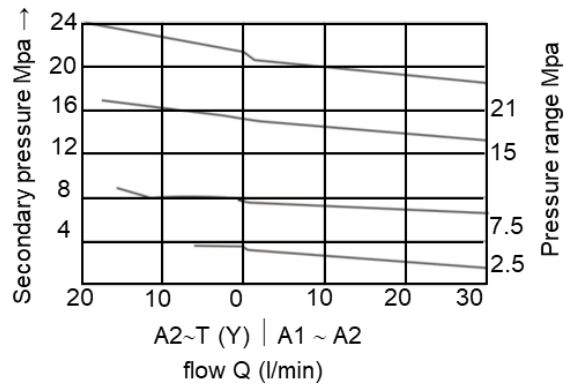
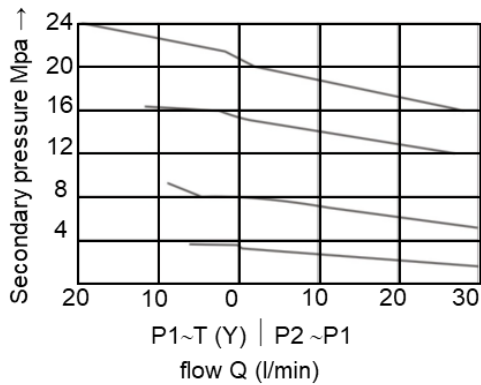
Product features

- modular type
- mounting surface according to DIN24320E D type and 5781
- used as thread connection and oil block mounting
- four kind of pressure scope
- three adjustment types
 - knob
 - knob-with lock
 - adjusting-bolt with protection cover
- connection port with pressure gauge
- model with check valve

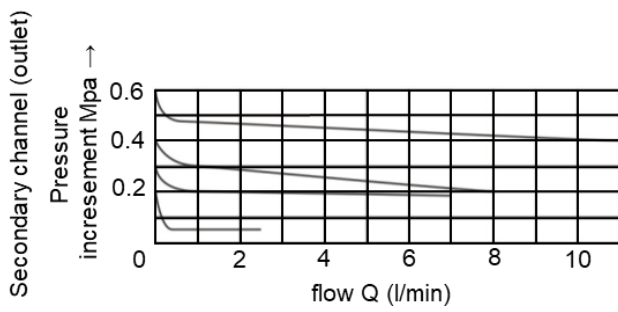
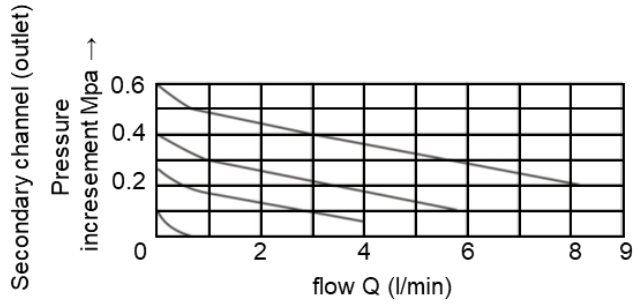
Model Code

| Size | | 6 | 10 | A | B | P | K | L | H | 25 | 75 | 150 | 210 | C | 0 | F | N | X | |
|---------------------------------------|--|---|----|---|---|---|---|---|---|----|----|-----|-----|---|---|---|---|---|--|
| Function | | | | | | | | | | | | | | | | | | | |
| Pressure reducing at A | | | | | | | | | | | | | | | | | | | |
| Pressure reducing at B (only NG10) | | | | | | | | | | | | | | | | | | | |
| Pressure reducing at P | | | | | | | | | | | | | | | | | | | |
| Adjustment by | | | | | | | | | | | | | | | | | | | |
| Knob | | | | | | | | | | | | | | | | | | | |
| Knob with lock | | | | | | | | | | | | | | | | | | | |
| Hexagon screw | | | | | | | | | | | | | | | | | | | |
| Maximum secondary pressure | | | | | | | | | | | | | | | | | | | |
| 25 Bar (2.5 Mpa) | | | | | | | | | | | | | | | | | | | |
| 75 Bar (7.5 Mpa) | | | | | | | | | | | | | | | | | | | |
| 150 Bar (15 Mpa) | | | | | | | | | | | | | | | | | | | |
| 210 Bar (21 Mpa) | | | | | | | | | | | | | | | | | | | |
| Check valve | | | | | | | | | | | | | | | | | | | |
| With check valve (only with A or 10B) | | | | | | | | | | | | | | | | | | | |
| Without check valve | | | | | | | | | | | | | | | | | | | |
| Seals | | | | | | | | | | | | | | | | | | | |
| FPM | | | | | | | | | | | | | | | | | | | |
| NBR | | | | | | | | | | | | | | | | | | | |
| Series | | | | | | | | | | | | | | | | | | | |
| Version number | | | | | | | | | | | | | | | | | | | |

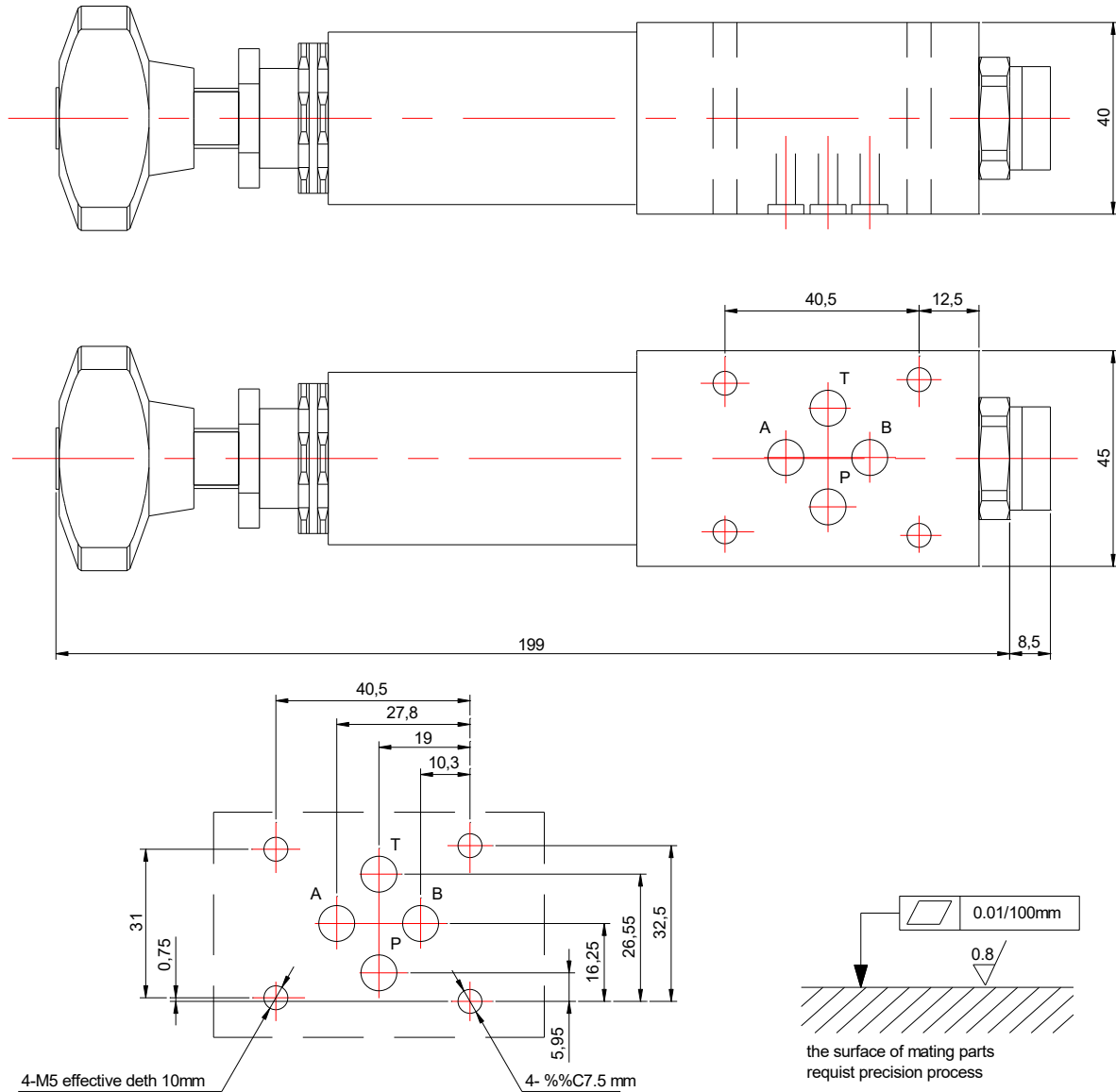
| General Data | | |
|---|--------------------|---|
| Working medium | | Mineral oil-suitable for NBR or FKM seals Phosphate suitable for FKM seals |
| Working medium temperature range | °C | -30°C ~ +80°C (NBR seals) -20°C ~ +80°C (FKM seals) |
| Viscosity scope | mm ² /s | 10 ~800 |
| Oil cleanliness | | Maximum oil pollution level according to NAS1638 class9, and ISO4406 class 20/18/15 |
| Maximum operating pressure (import) | Mpa | 31.5 |
| The highest secondary pressure (export) | Mpa | 2.5;7.5;15;21 |
| Maximum back pressure | Mpa | 6 |
| Maximum flow | l/min | 40 |
| Weight | kg | 1.2 |



For example: if A2 or P1 port adjusted to 3Mpa when flow 10l/min, as secondary pressure up to 3Mpa, flow reduces to zero.



Installation Dimension NG6

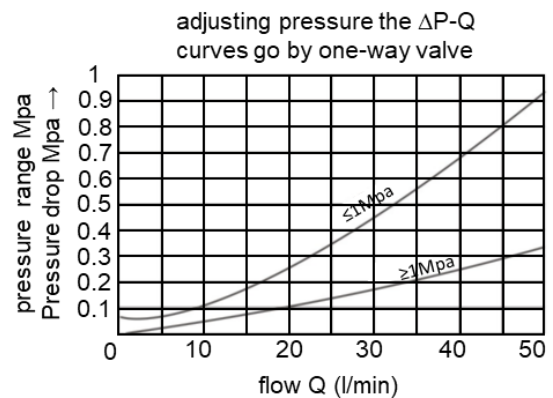
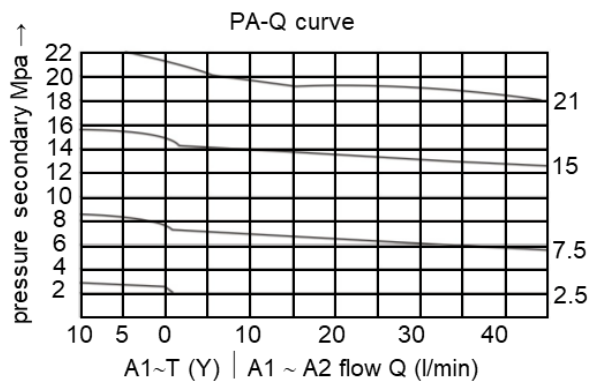


Ordering codes (most frequently used)

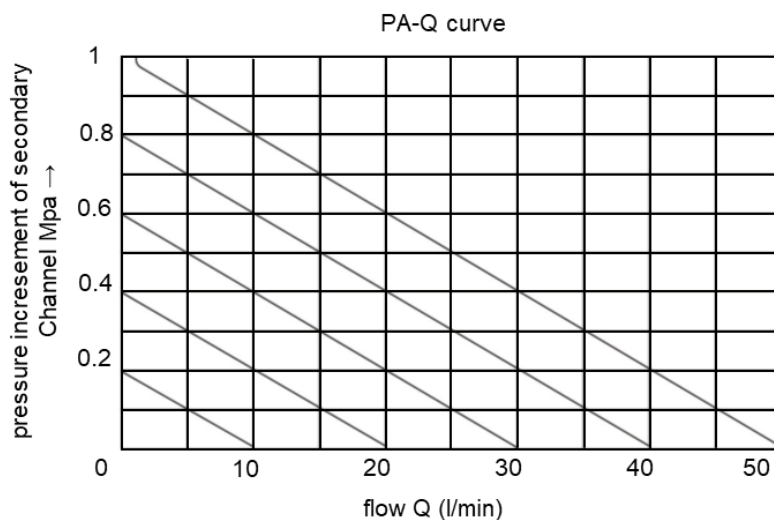
| Article code | Description | Remark |
|--------------|-----------------------|--------|
| QP100001 | QP-6-P-K-210-0-F-X | |
| QS100001 | Sealing set QC size 6 | |

Technical data NG10

| General Data | | |
|---|--------------------|---|
| Working medium | | Mineral oil-suitable for NBR or FKM seals Phosphate suitable for FKM seals |
| Working medium temperature range | °C | -30°C ~ +80°C (NBR seals) -20°C ~ +80°C (FKM seals) |
| Viscosity scope | mm ² /s | 10 ~800 |
| Oil cleanness | | Maximum oil pollution level according to NAS1638 class9, and ISO4406 class 20/18/15 |
| Maximum operating pressure (import) | Mpa | 31.5 |
| The highest secondary pressure (export) | Mpa | 2.5;7.5;15;21 |
| Maximum back pressure | Mpa | 15 |
| Maximum flow | l/min | 50 |
| Weight | kg | 2.8 |



Notice: when setting pressure is low, characteristics curve stay in the range of corresponding pressure grade.

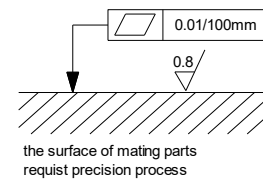
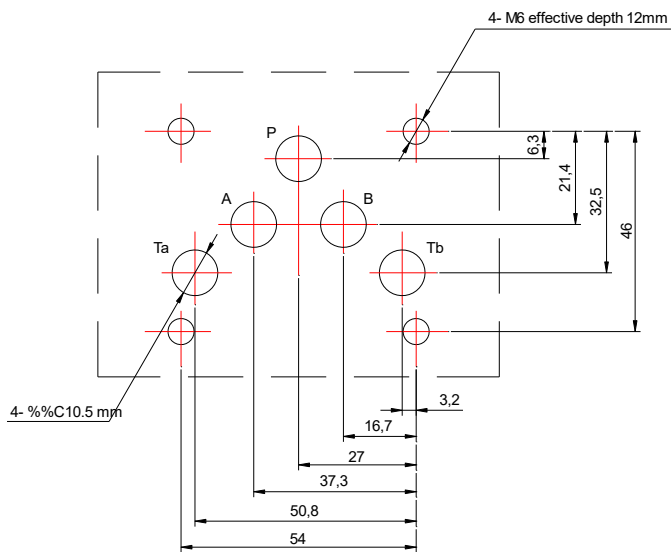
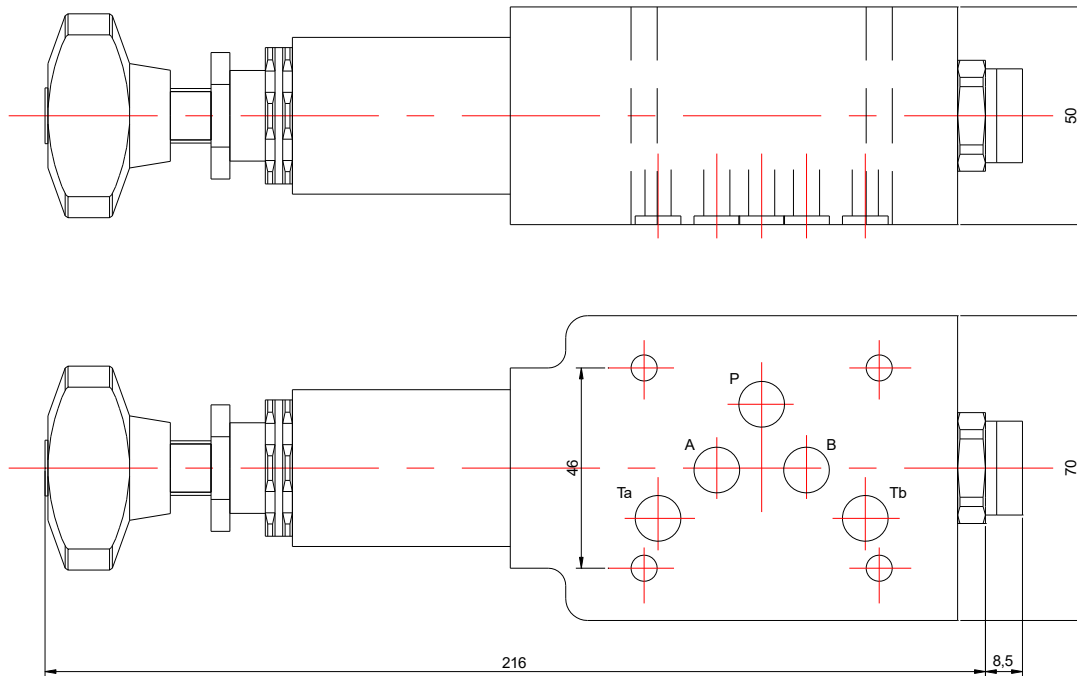


PA min-Q curve of pressure grade 2.5Mpa indicate the relationship between the corresponding fluid flow A1→A2 & the minimum set of P2→P1 and the flow.

Introduction:

For example: if A2 or P1 port adjusted to 3Mpa when flow is 10L/min, as secondary pressure up to 3.6Mpa, flow reduced to zero.

Installation Dimension NG10



Ordering codes (most frequently used)

| Article code | Description | Remark |
|--------------|------------------------|--------|
| QP100002 | QP-10-P-K-210-0-F-X | |
| QS100002 | Sealing set QC size 10 | |